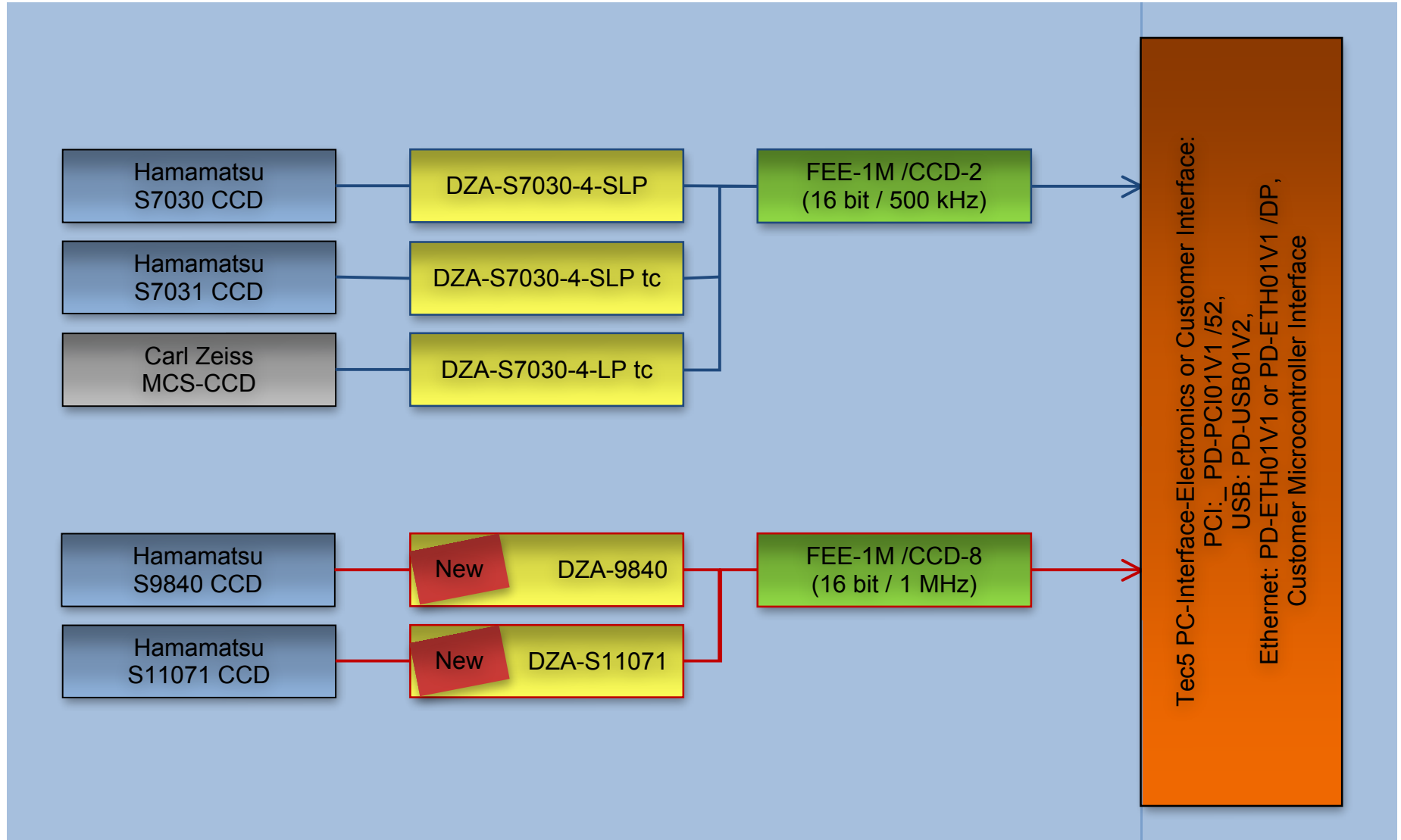


OEM Electronics Modules for Photodetector Arrays and Spectral Sensors Configuration Overview

CCD

Si-FFT CCD Arrays and Carl Zeiss MCS-CCD Spectral Sensors



OEM Electronics Modules for Photodetector Arrays and Spectral Sensors Configuration Overview

Document Conventions

Line Colors

Colour	Resolution	Pixel rate	Front End Electronics type
Red	16 bit	1 MHz	FEE-1M
Blue	16 bit	500 kHz	FEE-1M
Green	16 bit	100 kHz	FEE-1M
Black	15 bit	187.5 kHz	FEE-HS

Fill Colors

Colour	Component type
Blue	Photodiode array chip
Grey	Spectral Sensor module (with Preamplifier)
Yellow	tec5 Preamplifier board
Green	tec5 Front End Electronics board
Orange	tec5 Interface Electronics board